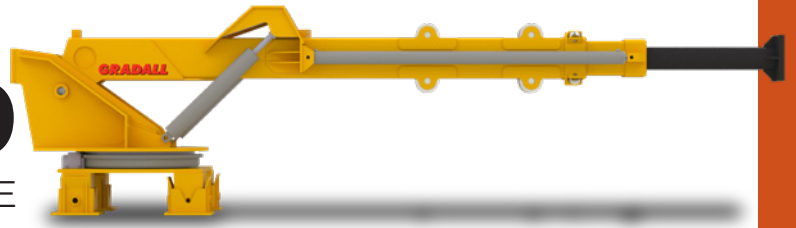


GRADALL®

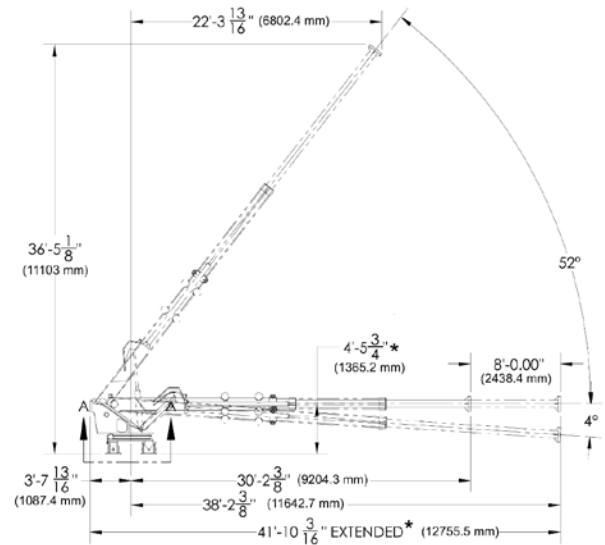
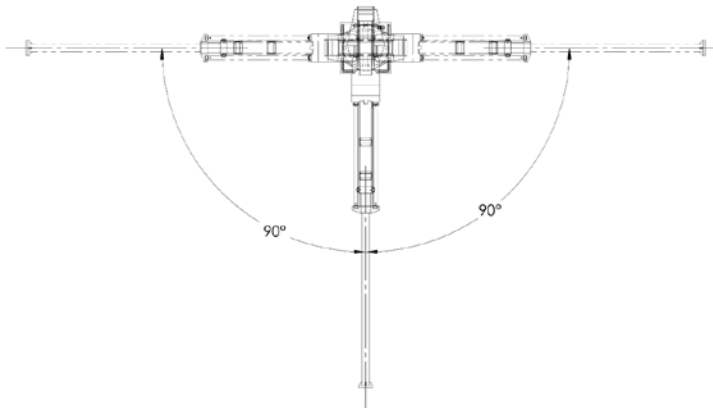
LAG 1200

STEEL MILL MAINTENANCE



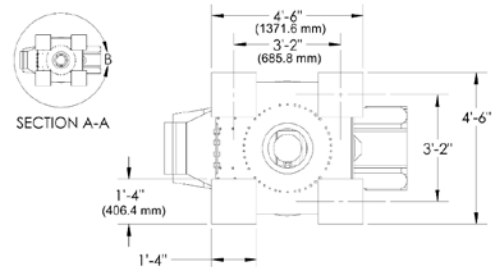
SPECIFICATIONS

Base	Boom	Trunnion
<ul style="list-style-type: none"> • Various mounting pad configurations <ul style="list-style-type: none"> - Quick pin, bolted or welded feet • Proprietary designed slew drive for swing <ul style="list-style-type: none"> - More torque - Precise movement - Six (6) points of contact between bearing and gear 	<ul style="list-style-type: none"> • Roller design allows for longer operation and better maintenance 	<ul style="list-style-type: none"> • Integrated counterbalance valves on hoist cylinders • Hydraulic swivel complete 360° swing • Extensive use of hard piping
	Control System	
	<ul style="list-style-type: none"> • Proportional joystick controls (three available control consoles) <ul style="list-style-type: none"> - Remote radio control console - Pedestal control console - Pulpit control console 	
		Available Options
		<ul style="list-style-type: none"> • Remote directional control valve stand • Power unit



Specifications subject to change without notice.
Metric units are meters (m) unless noted.
Machines shown may have optional equipment.

It is Gradall Policy to continually improve its products. Therefore designs, materials and specifications are subject to change without notice and without incurring any liability on units already sold. Units shown may have optional equipment.



406 Mill Ave. SW, New Philadelphia, Ohio 44663
Phone: 800-445-4752
www.Gradall.com